

SAPHIR ETW/-RB10

Water meter

Application

SAPHIR ETW is a well-proven domestic water meter based on the single-jet measuring principle. The ETW RB10 version is equipped with a reed contactor and a magnetic protective cover.



Features

- Water temperatures up to 90°C
- Surface mounted
- Horizontal or vertical mounting for rising and falling piping
- Separate wet and dry areas to protect roller counters
- ETW RB10 with magnetic protective cover
- Roller counters to eight places, with 1 pointer and flow indicator

Benefits

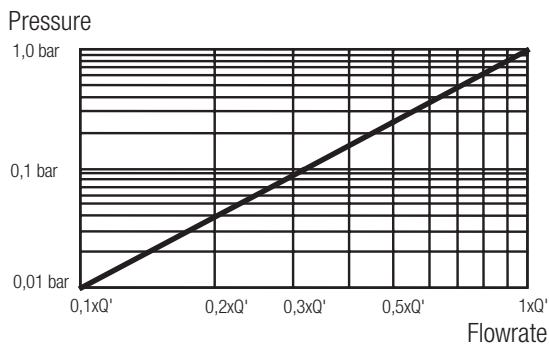
- Rotatable unit for optimum readout
- Individual recording of water consumption and accurate billing
- Accuracy: horizontal mounting Class B; vertical mounting Class A
- ETW RB10 magnetic cover to protect against manipulation

Technical data

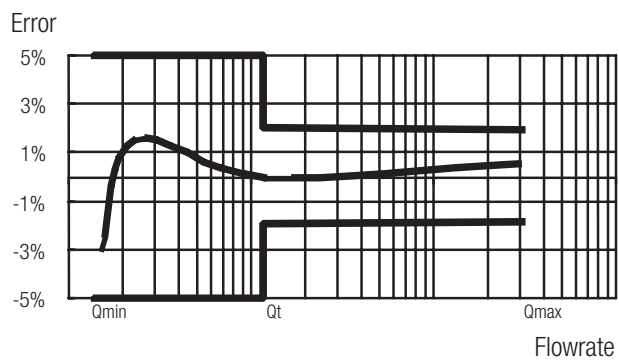
			ETW		ETW RB10	
Nominal diameter*	DN	mm	15	20	15	20
		inch	1/2	3/4	1/2	3/4
Article. No.			92770	92771	92772	97773
Nominal flowrate	Qp	m ³ /h	1.5	2.5	1.5	2.5
Pulse value, reed		l/pulse	-	-	10	10
Flowrate at 1 bar pressure loss	Q' (Kvs)	m ³ /h	3.23	5.05	3.2	3.2
Maximum flowrate	Qmax	m ³ /h	3	5	3	5
			3	5	3	5
Threshold value		l/h	<8	<15	<8	<15
Metrological class horizontal/vertical			B/A	B/A	B/A	B/A
Max. temperature		°C	90	90	90	90
Nominal pressure		bar	16	16	16	16
External thread on housing		inch	3/4	1	3/4	1
Weight		kg	0.50	0.58	0.53	0.64
Face-to-face length*		mm	110	130	110	130
Length of output pulse cable		m	-	-	2	2

*other nominal diameters/face-to-face lengths on request.

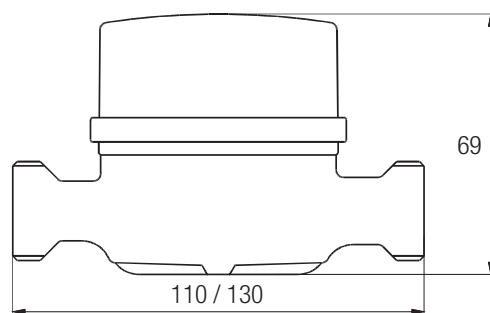
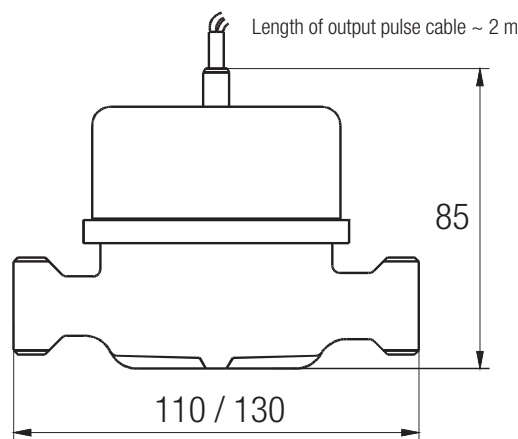
Pressure loss curve



Error curve



Dimensions



Authorised Channel Partner in India

Universal
engineers

BE-200, Lane No. 6,
Hari Nagar, New Delhi -110064
Tel./Fax : 91-11-25127461, 25496072, 9958004710
GSM: 9810269366, 9810589043
E-mail: dynamic6@vsnl.com, contact@ues.net.in
www.ues.net.in

