

# PADDLE FLOW SWITCH FOR LIQUIDS

**FS25R** – WEATHER PROOF **FS25X** – EXPLOSION PROOF

Easy installation into existing pipe  
 For a wide range of pipe sizes from diameter 25 to 200  
 Adjustable set point  
 Reed switch provide a SPDT contact function  
 Max. pressure rating 1500 psi (st. steel)

## Technical Data

### FS25R

Operation temperature: -30 ~ +120°C  
 Reed switch: 250VAC/DC 60W/VA  
 Carrying current: 1A  
 Wire conduit: ½" NPTF  
 Protection class: IP65  
 Material: Body – SS316 + Teflon  
 Plate – stainless steel 301  
 Optional: other materials available upon request

Pipe Size	Set Point Range for Water m³/h		Process Connection NPT
	Acuate (ON)	Deacuate(OFF)	
1"	1.4	1.05	1"
1¼"	1.45	1.1	1"
1½"	1.5-2	0.9-1.5	1"
2"	3-4	2-4	1"
2½"	4-5	3-4	1"
3"	6-7	5-6	1"
4"	8-10	10-14	1"
6"	12-17	20-30	1"
8"	25-30	30-35	1"

### FS25X

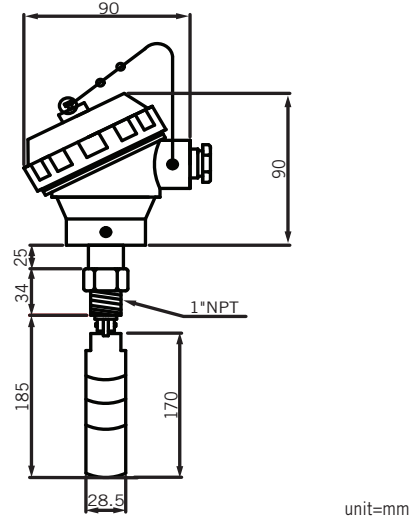
Operation temperature: -30 ~ +120°C  
 Reed switch: 250VAC/DC 60W/VA  
 Carrying current: 1A  
 Wire conduit: ½" NPTF  
 Protection class: Explosion proof; EExdIICT6  
 Material: Body – SS316 + Teflon  
 Plate – stainless steel 301  
 Optional: other materials available upon request

Pipe Size	Set Point Range for Water m³/h		Process Connection NPT
	Acuate (ON)	Deacuate(OFF)	
1"	1.4	1.05	1"
1¼"	1.45	1.1	1"
1½"	1.5-2	0.9-1.5	1"
2"	3-4	2-4	1"
2½"	4-5	3-4	1"
3"	6-7	5-6	1"
4"	8-10	10-14	1"
6"	12-17	20-30	1"
8"	25-30	30-35	1"



## Dimensions

### FS25R



### FS25X

