

Quanto monopipe EQZK

for measuring sewer gas



Technical characteristics quanto monopipe EQZK

- Principle of velocity measurement
- Special version for measuring sewer gas (without verification)
- Internal surfaces protected against corrosion with special coating
- Wear-resistant ceramic ball bearings
- Sizes Q 16 up to Q 400
- Dimensions DN 40, 50, 80 and 100
- Different Q-sizes per nominal width:
 - DN 40: Q 16 up to Q 65
 - DN 50: Q 16 up to Q 100
 - DN 80: Q 65 up to Q 250
 - DN 100: Q 100 up to Q 400
- Operational pressure max. 6 bar
- Meter without monopipe fitting EAS can be calibrated
- Pressure extraction connection inside the meter
- Counting device is in gas-free space
- Low starting value

- Designed for simple servicing (measurement-cartridge principle)
- Standard integrated flow strainer
- Short straight inlet lengths (2 × DN)
- Operation temperature range:
 - gas temperature –10°C up to +60°C
 - ambient temperature –20°C up to +70°C

Options

- Pulse generators:
 - 2 x LF-IPG, 1 x can be retrofitted without breaking the manufacturing seal
 - MF-IPG

Mounting and maintenance

- Mounting/dismounting of the meter element possible without disconnecting the monopipe fitting
- The monopipe fitting remaining in the pipe network enables mounting/dismounting of the meter element without tension from the pipe network
- Can be installed in any position from horizontal to vertical (turbine axis not suspended and roller counter axle always horizontal)

Norms

- Developed and produced to Quality Standard ISO 9001

GWF

The benchmark in metering technology

Technical data quanto monopipe EQZK

DN (mm)	Size	Load range		Operating pressure p_{max} (bar)	Pulse generators (option)		
		Q_{min} (m ³ /h)	Q_{max} (m ³ /h)		LF 1 pulse = m ³	2nd LF 1 pulse = m ³	MF 1 pulse = m ³
40/50	Q 16	3	25	6	1	1	0,01
40/50	Q 25	4	40	6	1	1	0,01
40/50	Q 40	5	65	6	1	1	0,01
40/50	Q 65	6	100	6	1	1	0,01
50	Q 100	10	160	6	1	1	0,01
80	Q 65	10	100	6	1	1	0,01
80	Q 100	12	160	6	1	1	0,01
80	Q 160	15	250	6	1	1	0,01
80	Q 250	20	400	6	1	1	0,01
100	Q 100	13	160	6	1	1	0,01
100	Q 160	15	250	6	1	1	0,01
100	Q 250	20	400	6	1	1	0,01
100	Q 400	25	650	6	1	1	0,01

Quanto monopipe EQZK



Pulse generators

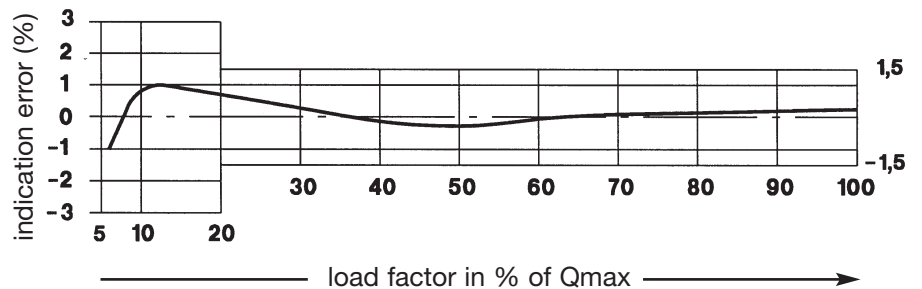
Connection of LF- and MF-pulse generators



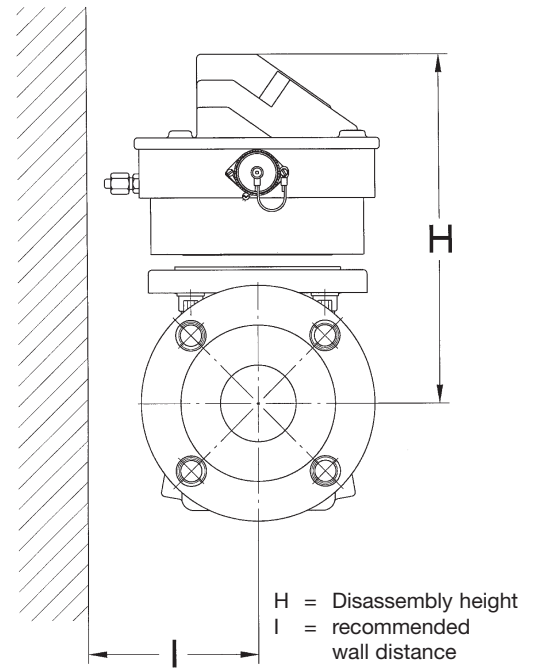
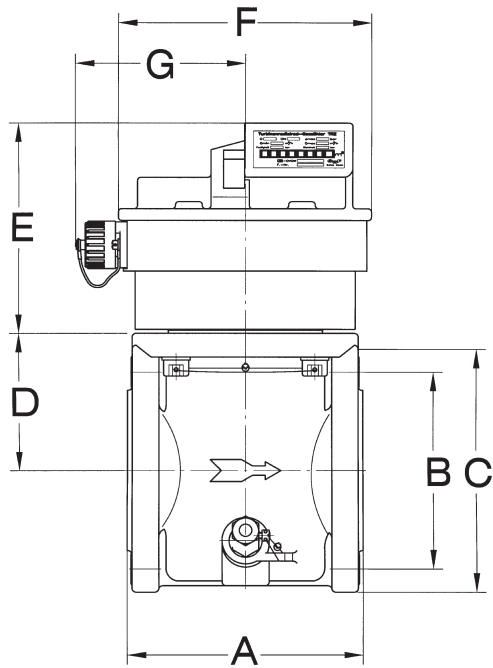
LF-pulse generator can be fitted by user without breaking the manufacturing seal



Error curve



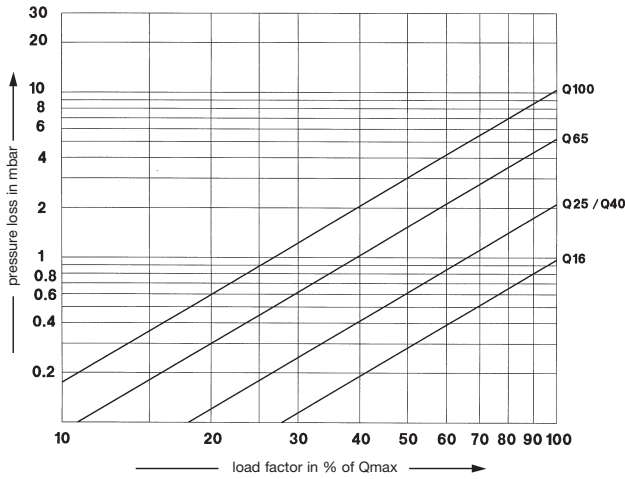
Dimensional drawing



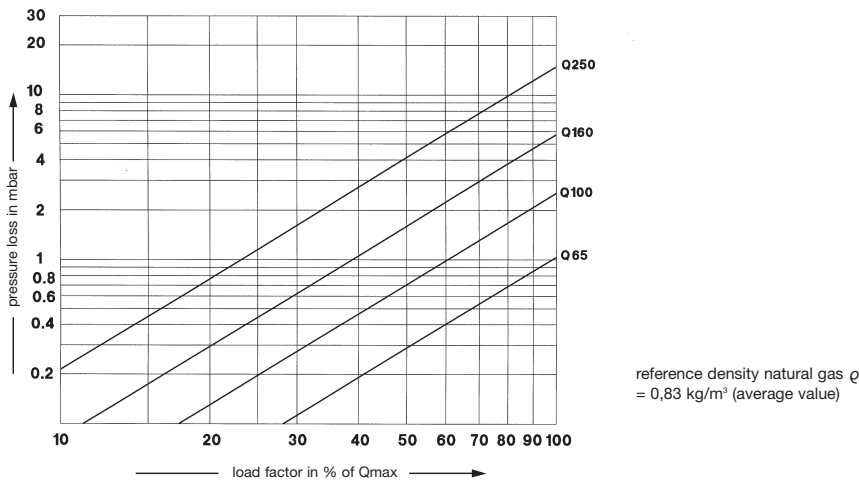
Dimensions and weights monopipe fitting and quanto monopipe EQZK

Art. No.	Monopipe fitting EAS			Dimensions (mm)								Weight (kg)		
	Pipe connection	For meter	Thread (G) Flange (F)	A	B	C	D	E	F	G	H	I	Meter element	EAS
82.50038	G 1 1/2"	DN 40	PN 4 - G	140	-	-	87	134	161	109	226	150	3,3	5,5
89.500014	G 2"	DN 50	PN 4 - G	185	-	-	70	136	161	109	209	150	3,3	3,1
82.50039	G 2"	DN 50	PN 4 - G	185	-	-	87	134	161	109	226	150	3,3	5,8
82.5036	DN 50	DN 50	PN 16 - F 4-hole	150	125	165	87	134	161	109	226	150	3,3	10
89.5038	DN 65	DN 50	PN 16 - F 4-hole	340	145	185	87	134	161	109	226	150	3,3	13
89.5039	DN 80	DN 50	PN 16 - F 8-hole	380	160	200	87	134	161	109	226	150	3,3	16
82.8036	DN 80	DN 80	PN 16 - F 8-hole	240	160	200	120	150	190	115	275	200	5,9	16
82.0036	DN 100	DN 100	PN 16 - F 8-hole	300	180	220	130	170	220	125	305	200	9,1	24,2

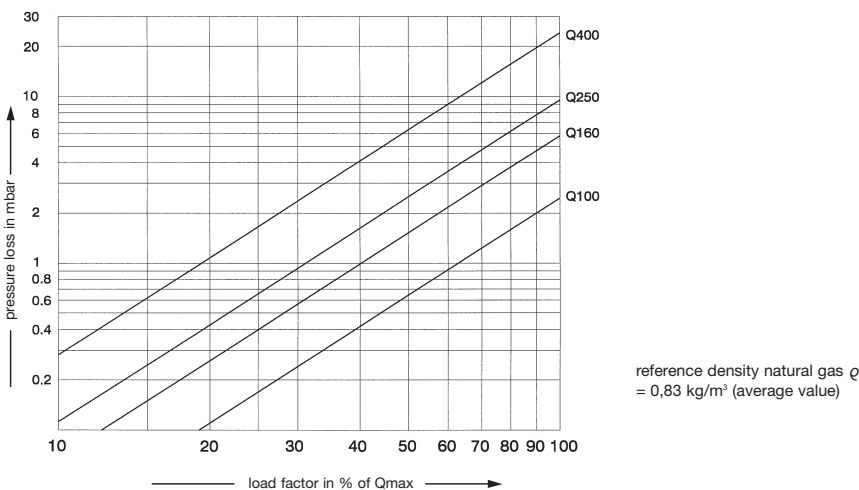
Pressure loss gas meter DN 40/50



Pressure loss gas meter DN 80



Pressure loss gas meter DN 100



Corrosion / Guarantee

All international components of the special version designed for bio- and sewer gas have a surface treatment, a so-called passive corrosion protection (surface treated monopipe adaptors available on request).

For the operation of EQZK with sewage gas we cannot grant any warranty of durability as the chemical condition of the gas has an important influence to the working life of the meter.

Factors as:

- sulfurated hydrogen
- humidity
- dirt
- dew point of gas

lead often to an unknown aggressiveness of the gas.

Ammonia in the sewer gas attack all nonferrous metals. Therefore, all surfaces of meter parts in contact with the biogas are PTFE-coated (Teflon).

Installation and operation

- The sewer gas meter EQZK may not be used upstream the gas-storage unit.
- The gas should be filtered before passing the meter, so that the gas can be measured in dry condition and without impurities.
- The meter should not be installed at the lowest point of an installation in order to avoid any accumulation of condensate inside the meter.
- In case of strong condensation, a condensate drain should be provided upstream and downstream the meter.

GWF

The benchmark in metering technology

Authorised Channel Partner in India

Universal engineers

BE-200, Lane No. 6,
Hari Nagar, New Delhi - 110064
Tel./Fax : 91-11-25127461, 25496072, 9958004710
GSM: 9810269366, 9810589043
E-mail: dynamic6@vsnl.com, contact@ues.net.in
www.ues.net.in