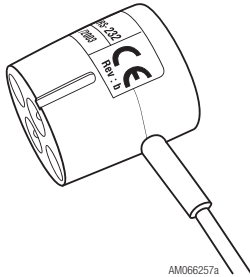
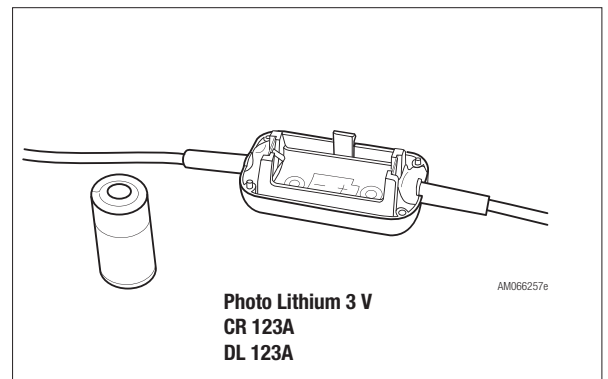
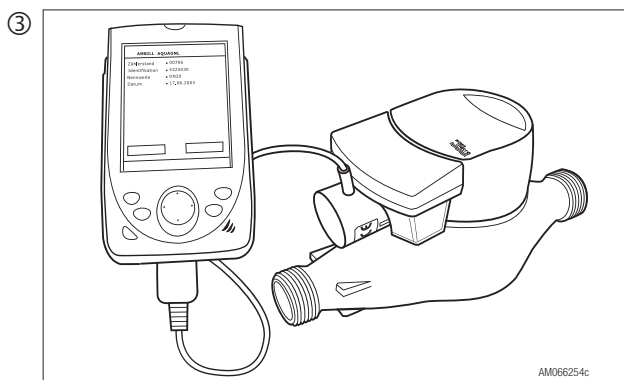
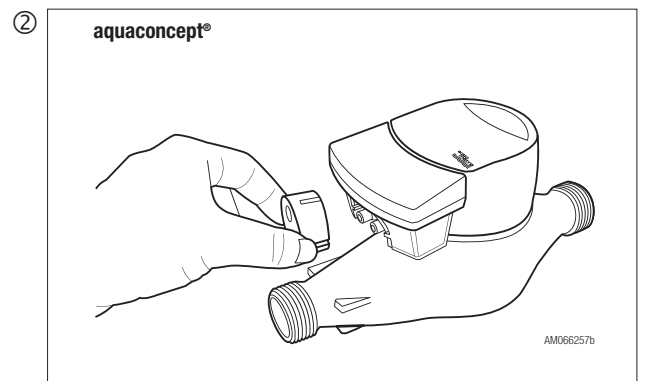
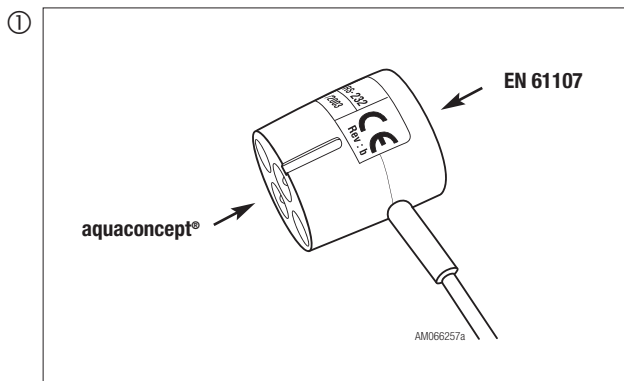
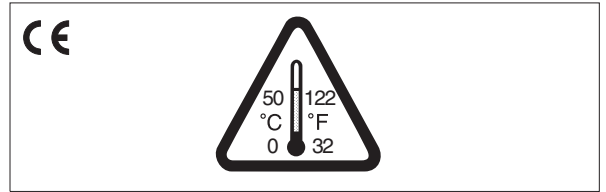


Montageanleitung  
Instructions de montage  
Istruzioni di montaggio  
Mounting instructions

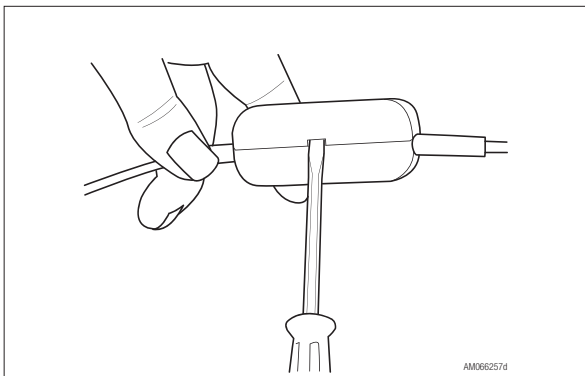
## aquaoci®



AM066257a



### Batteriewechsel / Remplacement de la batterie / Cambio batteria / Change battery



Authorised Channel Partner in India

# Universal engineers

BE-200, Lane No. 6,

Hari Nagar, New Delhi -110064

Tel./Fax : 91-11-25127461, 25496072, 9958004710

GSM: 9810269366, 9810589043

E-mail: [dynamic6@vsnl.com](mailto:dynamic6@vsnl.com), [contact@ues.net.in](mailto:contact@ues.net.in)

[www.ues.net.in](http://www.ues.net.in)